

Network Camera

2M IR Bullet Camera

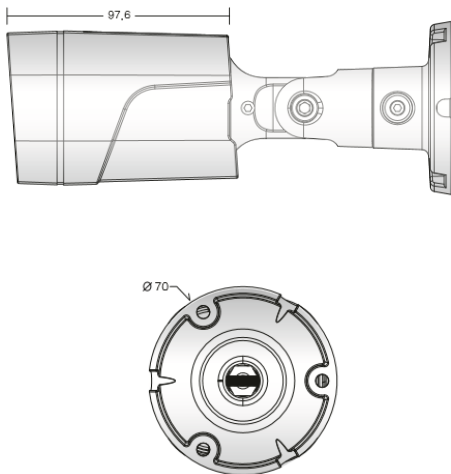
GS-NC230F



Features

- Sony 1/2.8" STARVIS CMOS 2MP sensor (IMX291)
- **3.6mm Fixed Lens (ICR)**
- High-power LED
- Full-HD real-time (30fps) transmission
- Dual stream support
- ONVIF compliant
- Waterproof (IP68)

Dimension (unit : mm)



Camera specifications

Image Sensor	Sony 1/2.8" STARVIS CMOS 2MP sensor (IMX291)	
Max. Resolution	1920(H) x 1080(V)	
Min. Illumination	Color : 0.5 lux, 0.002 lux (sense-up) BW (IR on) : 0 lux (IR LED on)	
ICR for Day & Night	Yes	
IR LED	High-power 2 PCS	
IR Distance	20m	
Menu Control	Through web	
ID & Camera Title	-	
Day & Night	Auto / Color / BW	
Backlight	On / Off	
3DNR	Auto	
Lens	3.6mm fixed lens	
Motion Detection	Yes	
Privacy Masking	4 Blocks (On / Off)	
Digital Zoom	x16 (On / Off)	
Electronic Shutter	Auto / Manual (1/30 ~ 1/30,000 sec)	
Slow Shutter	Off / x2 ~ x4	
AGC	On (0 ~ 255 steps)	
White Balance	Auto / Manual / ATW	
Image Effect	Mirror, Flip	
Defog	On / Off	
Power	Input Voltage	DC12V / PoE-802.3 af
Working Environment	-10 ~ 40°C / Less than 90% RH	
Dimension (W X D X H)	70 X 196 X 98 mm	

Network specifications

Video	Compression	H.264 / JPEG
	Effective Pixels	1,920 X 1,080
	Frame	30 fps
	Stream	Main stream (1080p) & Sub stream (D1)
Audio	Audio I/O	-
	2-way Audio	-
Network	Protocol	TCP/IP, HTTP, RTP/RTSP, UDP, DHCP, FTP, SMTP, NTP, ARP, ICMP, DDNS, ONVIF
	Ethernet	RJ-45 (10/100 Base-T)
	Bitrate Control	CBR / VBR, Network Bandwidth Control
	Security	WS-Security, RTSP Access Control
	UPnP	Support
Special Function	Max. User Access	Up to 4
	Push Video Call	Yes
	Intensive Record	Yes
Remote Record	Surge Protection	4kV
	Remote Record	Yes
Record Monitoring	Web browser (Internet Explorer, Safari, Chrome, Firefox), VMS, and mobile (iOS, Android)	